



# CLASSIC

## THE MOST USER FRIENDLY WALK-THROUGH METAL DETECTOR

### FEATURES

- High level of Detection Uniformity
- Leading Edge Technology
- Quick installation
- Suitable for portable applications
- No Maintenance required
- Affordable pricing

EASY TO USE  
EASY TO INSTALL



### APPLICATIONS

- GOVERNMENT AGENCIES
- SCHOOLS SECURITY
- HOTELS
- PUBLIC EVENTS
- AMUSEMENT PARKS
- NIGHT CLUBS

GSA Contract Holder



[www.ceia-usa.com](http://www.ceia-usa.com)



*Threat Detection through Electromagnetics*

## CLASSIC THE MOST USER FRIENDLY WALK-THROUGH METAL DETECTOR

THE CLASSIC IS A WALK-THROUGH METAL DETECTOR designed and engineered to meet the specific security needs of public facilities such as schools, hotels, amusement parks and city halls. The CLASSIC Metal Detector **combines the required Security with a high level of operating efficiency**. The leading edge technology features a high flow rate of people through the gate with the minimum number of nuisance alarms, as personal items such as coins, keys and belt buckles can pass through the magnetic field without causing an alarm.

The CLASSIC Metal Detector is **compact and lightweight**, making this portable unit adaptable to any surroundings. **The patented cylinder design is aesthetically suitable for the most discrete applications.**

This security equipment **does not require any special training for normal use**, the most "user friendly" walk-through metal detector in the industry.

### SPECIFICATIONS

#### MAIN FEATURES

Digitally-adjustable sensitivity with a wide range of values	Control unit incorporated into the detector
Programming access protected by hardware key	No initial or periodic calibration
All functions programmable and controlled by a microprocessor	Easy maintenance: modular control unit for a rapid replacement
Professional high integration and reliable electronics	Color: light grey RAL 7040

Multiple installations: automatic synchronization between two or more metal detectors with a reciprocal distance of down to 2" (5 cm) without the use of cables

#### INSTALLATION DATA

Power Supply: 100-240V~, -10/ +15%, 47-63Hz, with universal Power Supply Adapter
Operating temperature: -4°F to 158°F
Storage temperature: -34°F to 158°F
Relative humidity: 0 to 95% (without condensation)




#### ALARM MODES

High intensity display
Green and red metering signals proportional to the mass of the object detected
High acoustic intensity alarm signal
Volume and tone of alarm signal can be programmed

#### CERTIFICATION AND CONFORMITY

Complies with Regulations relating to pacemakers, defibrillators or other vital support systems, pregnant women and magnetic storage media (CD, audio cassettes, video cassettes and similar)
Conforms to the current International Security Standards for Walk-Through Metal Detectors
Complies with EC Regulations and International Standards relating to Electrical Safety and Electromagnetic Compatibility (EMC)

#### ACCESSORIES

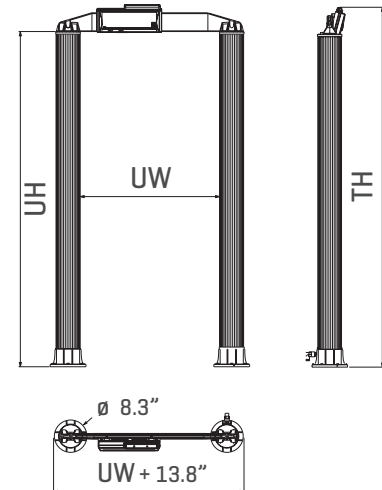
Stabilizing Plates		Metal Detector Divesting Table: this article acts both as a spacer between the X-ray unit and the Metal Detector and as a temporary depository for metal personal effects	
Test samples			
Transport Bag: protects the Metal Detector during transport and storage			

### CLASSIC/NAVY

The **Classic/NAVY** model is particularly suitable for environments with limited headroom, and features an electronics unit in a Stainless Steel IP65 container.



### DIMENSIONS



	CLASSIC	CLASSIC/NAVY
UW	28.3" / 32.3"*	28.3" / 32.3"*
UH	77.4"	72.3"
TH	83.7"	78.7"

\* AVAILABLE ON REQUEST



CEIA USA Ltd - 9155 Dutton Drive, Twinsburg OH - 44087

Phone: 330-405 3190 • Fax: 330-405 3196 • E-mail: security@ceia-usa.com • Call [833] 224-2342 [CEIA]

[www.ceia-usa.com](http://www.ceia-usa.com)

CEIA USA reserves the right to make changes, at any moment and without notice, to the models (including programming), their accessories and options, to the prices and conditions of sale. DP060K0002v2000uUS